



Low Speed High Torque Orbital Hydraulic Motors 低速大扭矩摆线液压马达

SMS Series
Technical
Information

SMS 系列马达
技术参数



Jining Kersen Hydraulics Co., Ltd. Tel: (86) 537 2635138/2613777 Fax: (86) 537 2613277

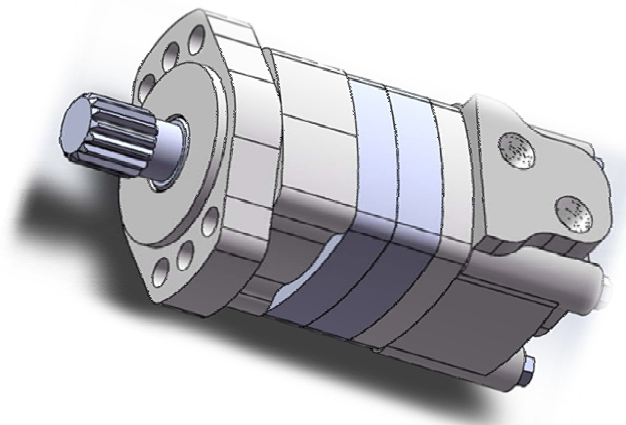
济宁科尔森液压有限公司

Tel: (86) 537 2635138/2613777 Fax: (86) 537 2613277

2014-10

SMS Series

SMS系列



• Design Features

• 结构特点

- Roller bearings permit high radial loads
• 本系列马达采用重载锥滚轴承，输出轴可承受更大的径向力矩
- Use high pressure capacity shaft seal
• 采用耐高压轴密封
- Wide variety of mounting flanges, shafts, and displacement provides design flexibility
• 可灵活选择不同的安装法兰，输出轴，排量等，为客户提供更宽泛的选择空间
- Direction of shaft rotation and speed can be controlled easily and smoothly
• 可灵活平滑地控制马达的旋转方向和转速
- Best combination of efficiency and economy in medium duty applications
• 对中等载荷马达系列而言，该型马达具备极高的性价比

• Specification Data

• 性能参数

Displacement(排量)	cc/r		80	100	125	160	195	245	305	395	490
Max.Speed	RPM	Continuous (连续)	799	739	575	477	385	308	246	191	153
		Intermittent (不连续)	908	924	719	713	577	462	365	335	230
Flow	LPM	Continuous (连续)	75	75	75	75	75	75	75	75	75
		Intermittent (不连续)	75	95	95	115	115	115	115	130	115
Torque N.m	Nm	Continuous (连续)	195	245	315	380	455	555	560	700	845
		Intermittent (不连续)	305	395	505	530	625	765	805	890	930
Pressure (Δ Bar)	Bar	Continuous (连续)	170	170	170	170	170	170	140	140	120
		Intermittent (不连续)	275	275	275	240	240	240	205	170	140

Maximum Case Pressure -- Without Case Drain (不接外泄油口时，壳体最大承受压力) ---80 Bar

盘配流液压马达

Max. pressure is the allowed pressure at the inlet port. Rated pressure is the working pressure difference between inlet and outlet port.

A simultaneous maximum RPM and maximum pressure NOT recommended
Maximum pressure or maximum RPM operation: 10% of every minute

Recommended fluids: Anti-wear type of hydraulic oil. Viscosity recommended 37-73 cSt. Recommended filtration ISO18/13. Maximum operating temperature recommended 80°C

Special high pressure capacity shaft seal ensures back pressure up to 8 Mpa. Recommended preferable back pressure 5 Mpa. Case drain line is recommended when back pressure higher than 5 Mpa. When case drain line is used, make sure the motor is always filled with oil. The motor life is benefited from a case drain line.

It is highly recommended that the motor runs at 30% of rated pressure for at least one hour before application of full load. Be sure the motor is filled with fluid prior to any load applications.

•不连续压力是指马达进油口允许承受的压力，连续压力指两油口连续工作时的压力差

•马达不允许同时在最大转速和最大压力的工况下使用

•不连续运行工况 --- 指马达在此工况下每分钟运行不超过10%

•推荐液压油：粘度为37-73cSt,过滤精度：ISO18/13,系统最高温度不超过80°C

•轴密封可承受8Mpa的背压，推荐马达背压不要超过5Mpa,超过5Mpa时，建议接外泄油管。马达在运行前和运行中，应保证腔体内始终充满液压油，以使马达得到良好的润滑和冷却

•强烈建议马达在满负荷运行前先以30%的负荷运行约1小时，以使马达得到充分的磨合

• SMS Series Motor Performance Data

SMS 系列马达性能参数

80 cc/r ΔBar 压差

	35	70	105	140	170	205	240	275
1	25	45						
	3	1						
1.9	30	50	85					
	17	8	3					
3.8	35	75	110	145	175	205	220	240
	44	40	37	34	28	22	14	2
7.5	35	75	110	150	180	210	235	265
	90	85	81	78	72	65	57	49
15	35	75	115	150	185	215	250	280
	182	176	170	166	159	152	140	128
23	35	75	115	150	182	225	255	290
	273	267	269	254	246	238	223	207
30	35	75	115	150	190	230	265	300
	365	375	349	341	333	325	306	286
38	35	75	115	155	190	230	270	305
	456	448	439	429	420	411	388	364
45	30	70	115	155	195	235	270	305
	547	537	530	516	507	497	470	442
53	30	70	110	150	195	235	270	305
	638	629	622	603	593	584	553	521
61	30	70	110	150	190	230	270	305
	729	720	714	689	679	670	635	599
68	25	65	110	150	190	230	265	300
	818	810	795	775	765	756	717	677
76	25	65	105	145	185	225	260	295
	908	901	880	861	851	842	799	755

100 cc/r ΔBar 压差

	35	70	105	140	170	205	240	275
1	30							
	2							
1.9	35	70	105					
	9	5	2					
3.8	45	95	135	175	210	240		
	34	31	28	23	15	6		
7.5	45	95	140	180	215	250	285	315
	71	68	63	59	51	38	24	14
15	45	90	140	185	225	270	310	355
	145	141	136	131	121	104	94	80
23	45	90	140	190	235	280	325	370
	219	215	209	202	192	172	163	149
30	40	90	140	190	240	290	340	385
	294	288	281	273	261	243	231	216
38	40	90	145	195	245	295	340	390
	368	362	354	344	330	316	300	283
45	40	90	145	195	245	295	345	395
	442	436	427	415	399	389	369	350
53	35	90	140	195	245	295	345	395
	516	509	500	486	469	463	437	417
61	35	90	140	195	245	295	345	395
	591	583	573	558	540	537	506	485
68	35	85	140	190	240	290	340	390
	665	657	646	630	611	609	574	552
76	30	80	135	185	235	290	335	390
	739	731	715	703	684	662	643	619
83	30	80	135	185	235	280	330	380
	813	805	794	777	758	749	712	687
91	30	80	130	175	230	280	330	375
	887	879	868	852	834	814	782	754
92	25	75	125	175	225	275	325	
	924	916	905	890	873	846	817	

Motors run with high efficiency in all areas designated with a number for torque and speed, however for best motor life select a motor to run with a torque and speed range shown in the yellow area.

为使马达获得更长的寿命，请选择在黄色区域标注的工

Continuous 连续工况
Intermittent 不连续工况

295 Torque N.m
755 Speed RPM

Performance data is typical at 120 SUS . Actual data may vary slightly from unit to unit in production

125 cc/r ΔBar 压差

	35	70	105	140	170	205	240	275
1.9	45 8	100 2						
3.8	60 27	120 23	180 19	230 16	285 13	330 9	375 3	
7.5	60 56	120 53	180 47	235 42	290 39	330 36	375 28	410 21
15	55 113	120 111	185 104	245 97	300 95	350 92	400 85	450 77
23	55 171	120 169	185 161	245 153	310 149	370 146	425 132	485 118
30	55 224	120 222	185 219	250 210	315 204	375 201	435 192	495 184
38	55 286	120 282	185 276	250 269	315 261	385 255	445 243	505 231
45	50 344	120 338	185 333	250 327	315 317	380 307	440 296	500 284
53	50 402	115 395	185 391	250 385	340 373	380 360	440 348	500 336
61	45 460	115 452	180 447	250 443	315 430	375 411	440 397	500 384
68	45 517	110 509	180 504	245 500	310 484	375 471	435 456	500 440
76	45 575	110 568	175 560	240 551	305 539	370 524	435 508	
83	40 633	105 624	170 619	235 604	305 597	365 579	430 560	
91	35 691	105 682	170 676	235 665	300 651	365 633	425 616	
95	35 719	100 712	165 705	230 692	295 679	360 682	420 656	

160 cc/r ΔBar 压差

	35	70	105	140	170	205	240	275
1	25 3							
1.9	25 9	55 7	110 5	175 3	240 1			
3.8	30 23	65 21	130 19	195 17	260 13	320 8	375 3	430 2
7.5	35 46	70 45	135 42	200 39	265 35	330 34	395 33	460 28
15	35 93	70 92	140 89	215 85	285 79	360 77	430 75	505 59
23	35 142	75 140	145 137	220 131	295 124	370 118	445 113	520 104
30	35 190	75 187	150 184	225 178	300 170	375 166	450 164	525 153
38	35 237	70 235	150 231	230 226	320 217	385 212	455 205	530 193
45	30 286	70 283	150 279	230 274	305 265	380 254	455 246	530 235
53	25 334	65 331	145 326	230 322	305 312	380 305	455 297	530 286
61	25 382	65 378	145 374	225 369	300 360	375 349	455 339	530 326
68	20 429	60 426	140 422	220 416	300 407	375 394	450 387	
76	20 477	60 474	135 469	215 462	300 451	375 440	445 430	
83	15 525	55 522	130 517	210 510	295 501	370 484	445 473	
91	15 572	50 569	130 564	210 556	290 546	370 531	440 522	
95	10 596	50 593	130 587	210 580	290 566	265 553	440 544	
114		35 713	120 706	200 696	280 682	355 672	430 658	

Motors run with high efficiency in all areas designated with a number for torque and speed. however for best motor life select a motor to run with a torque and speed range shown in the yellow area.

为使马达获得更长的寿命，请选择在黄色区域标注的工况下使用。

Continuous 连续工况
 Intermittent 不连续工况

Performance data is typical at 120 SUS . Actual data may vary slightly from unit to unit in production

上表中的数据是标准马达在油液粘度120SUS工况下测得的数据，不同的马达实测数据会略有差异。

195 cc/r Δ Bar 压差

	15	35	70	105	140	170	205	240
1	25 4	65 2						
1.9	35 8	70 6	150 2					
3.8	45 17	80 16	160 14	200 11	305 7	370 4	430 2	490 1
7.5	45 37	85 35	165 33	250 31	325 26	415 21	510 19	575 14
15	45 76	90 74	175 72	260 70	345 64	430 61	510 57	595 51
23	45 115	90 113	180 110	270 108	360 102	445 99	530 94	615 87
30	45 154	90 151	185 148	275 146	370 140	455 135	540 130	625 123
38	45 193	95 190	185 187	280 184	375 177	465 173	545 168	630 160
45	40 231	90 229	185 226	280 221	375 218	465 211	550 204	
53	35 269	85 267	185 264	280 260	380 254	465 248	550 241	
61	30 308	80 306	185 303	275 296	375 290	465 283	550 276	
68	30 346	80 345	180 342	270 334	375 327	465 315		
76	25 385	75 384	175 380	270 372	370 367	460 359		
83	20 424	70 423	170 418	265 410	365 404	460 395		
91	15 462	65 461	165 457	260 449	360 441	450 432		
95	15 484	60 482	160 476	260 469	355 459	445 449		
114		45 577	145 571	240 562	330 550			

245 cc/r Δ Bar 压差

	15	35	70	105	140	170	205	240
1								
1.9	45 4	95 2						
3.8	50 14	105 13	210 11	315 9	410 6	515 4	615 3	715 1
7.5	50 29	110 28	215 26	325 23	425 20	540 18	640 15	740 12
15	55 60	115 59	225 56	340 53	450 49	555 47	660 46	765 44
23	50 91	115 90	230 87	350 83	465 78	570 73	675 69	780 65
30	50 122	115 121	235 118	360 113	475 108	585 104	690 101	
38	50 153	115 152	240 148	360 144	480 139	560 135	705 103	
45	45 184	110 183	235 180	360 175	480 170	600 165		
53	40 215	105 214	235 211	355 207	480 201	585 195		
61	40 246	95 245	230 242	355 238	470 232	580 223		
68	30 277	90 276	225 273	345 269	465 263	575 253		
76	30 308	90 306	215 302	340 298	465 291			
83	25 339	80 337	210 334	330 330	455 323			
91	15 370	75 369	200 364	325 360	445 353			
95	15 385	75 384	200 379	325 375	445 367			
114		60 462	185 458	305 453	430 447			

445Torque N.m
449Speed RPM

Continuous 连续工况
 Intermittent 不连续工况

Motors run with high efficiency in all areas designated with a number for torque and speed. however for best motor life select a motor to run with a torque and speed range shown in the yellow area. 为使马达获得更长的寿命, 请选择在黄色区域标注的工况下使用。

Performance data is typical at 120 SUS . Actual data may vary slightly from unit to unit in production
 上表中的数据是标准马达在油液粘度120SUS工况下测得的数据, 不同的马达实测数据会略有差异。

		305 cc/r ΔBar 压差						
		15	35	70	105	140	170	205
Flow LMP 流量	1							
	1.9	55 4	120 2					
	3.8	70 12	135 11	260 10	390 9	500 6	610 1	
	7.5	70 24	135 24	270 22	395 20	520 18	640 15	765 11
	15	75 49	140 49	280 47	415 45	545 42	675 38	805 34
	23	70 74	145 74	290 72	430 69	560 64	695 58	825 52
	30	70 98	145 98	295 96	440 93	575 86	705 80	
	38	65 123	140 122	295 120	440 117	580 110	720 102	
	45	60 148	140 147	295 144	440 142	580 133	720 124	
	53	55 172	135 172	290 168	440 165	580 156		
	61	50 196	125 196	280 192	440 188	575 178		
	68	40 221	120 221	275 217	440 212	570 202		
	76	35 246	110 245	265 241	420 236	565 226		
	83	25 271	105 270	260 266	400 260	545 255		
	91	20 296	100 294	255 290	385 285	525 280		
	95	15 308	95 307	250 303	375 298	510 293		
	114		75 365	230 360	355 356			

Torque : 510Nm
Speed: 293RPM

		395 cc/r ΔBar 压差							
		15	35	70	105	120	140	155	170
Flow LMP 流量	1								
	1.9	65 4	150 3						
	3.8	85 9	175 9	350 8	505 7	585 6	665 5	745 4	820 4
	7.5	90 18	180 18	360 17	530 16	615 15	700 14	775 13	845 11
	15	90 37	190 37	375 36	560 35	650 34	740 33	815 31	890 28
	23	90 57	190 56	385 55	575 52	670 50	765 49	840 47	905 45
	30	90 76	190 75	390 74	580 71	675 69	770 68		
	38	90 95	190 94	395 93	585 90	680 88	775 86		
	45	85 114	190 113	390 112	580 109	675 106	770 103		
	53	85 133	185 132	390 131	580 127	675 124			
	61	80 153	180 152	380 150	570 146	670 144			
	68	70 172	170 171	375 170	565 167	665 164			
	76	65 191	165 190	370 189	560 186	660 184			
	83	60 210	155 209	360 208	550 206				
	91	50 230	150 229	350 227	540 224				
	98	40 249	140 248	340 246	535 242				
	114	20 287	120 286	320 283	515 277				
	132		95 335	300 333					

Motors run with high efficiency in all areas designated with a number for torque and speed. however for best motor life select a motor to run with a torque and speed range shown in the yellow area.

为使马达获得更长的寿命，请选择在黄色区域标注的工况下使用。

Continuous 连续工况
 Intermittent 不连续工况

Performance data is typical at 120 SUS . Actual data may vary slightly from unit to unit in production
 上表中的数据是标准马达在油液粘度120SUS工况下测得的数据，不同的马达实测数据会略有差异。

490 cc/r Δ Bar 压差

	15	35	50	70	85	105	120	140	
Flow LMP 流量	1.9	75 2	180 1						
	3.8	105 7	225 6	340 5	440 4	550 2			
	7.5	105 14	235 13	350 12	460 10	575 9	715 7		
	15	110 30	240 29	365 28	480 27	605 26	720 24	835 22	
	23	110 45	240 44	365 43	485 42	605 41	725 39	845 37	900 20
	30	110 61	240 60	365 59	490 58	610 57	730 55	855 52	933 35
	38	105 76	230 75	360 74	485 73	610 72	730 70	855 68	
	45	95 91	225 90	355 90	480 89	605 87	730 85	855 84	
	53	90 106	220 105	345 105	475 104	60 102	725 100		
	61	80 122	210 121	340 120	465 119	590 118	715 116		
	68	70 153	190 152	315 151	445 150	570 149	700 146		
	76	60 153	190 152	315 151	445 150	570 149	700 146		
	83	50 168	175 168	305 167	435 165	560 164	685 161		
	91	40 184	165 184	295 183	420 181	550 179	675 177		
	98	30 199	155 195	285 195	410 192	540 190			
	106		140 212	270 211	400 209	525 207			
	114		125 230	255 229	385 277	510 224			

675 扭矩 N.m
 177 转速 RPM

Motors run with high efficiency in all areas designated with a number for torque and speed. however for best motor life select a motor to run with a torque and speed range shown in the yellow area.

Continuous 连续工况
 Intermittent 不连续工况

为使马达获得更长的寿命，请选择在黄色区域标注的工况下使用。

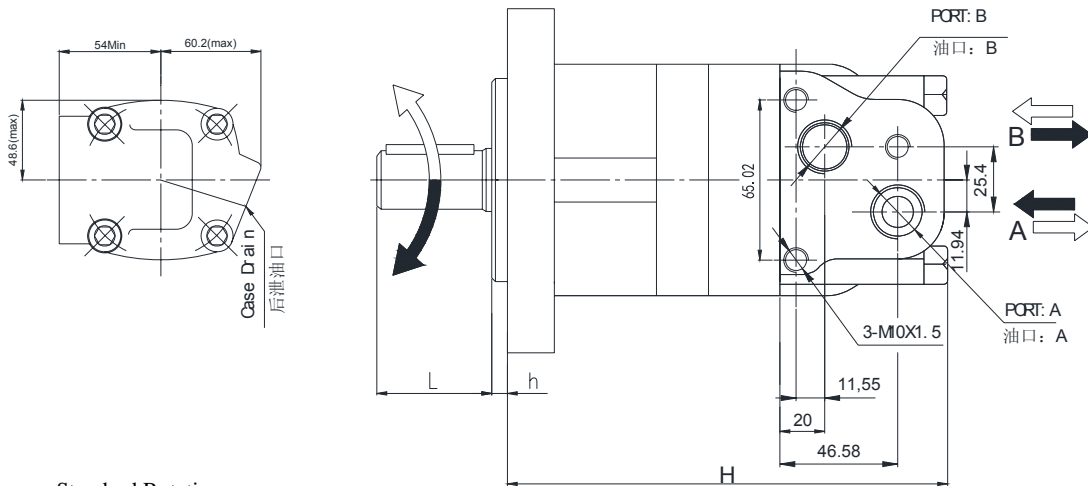
Performance data is typical at 120 SUS . Actual data may vary slightly from unit to unit in production

上表中的数据是标准马达在油液粘度120SUS工况下测得的数据，不同的马达实测数据会略有差异。

•SMS Series Dimensions
SMS 系列连接尺寸

Standard Motor A Series

标准马达A系列



Standard Rotation

Viewed From Shaft End

Port A Pressurized --- CW

Port B Pressurized --- CCW

马达标准旋转方向

面对输出轴轴端

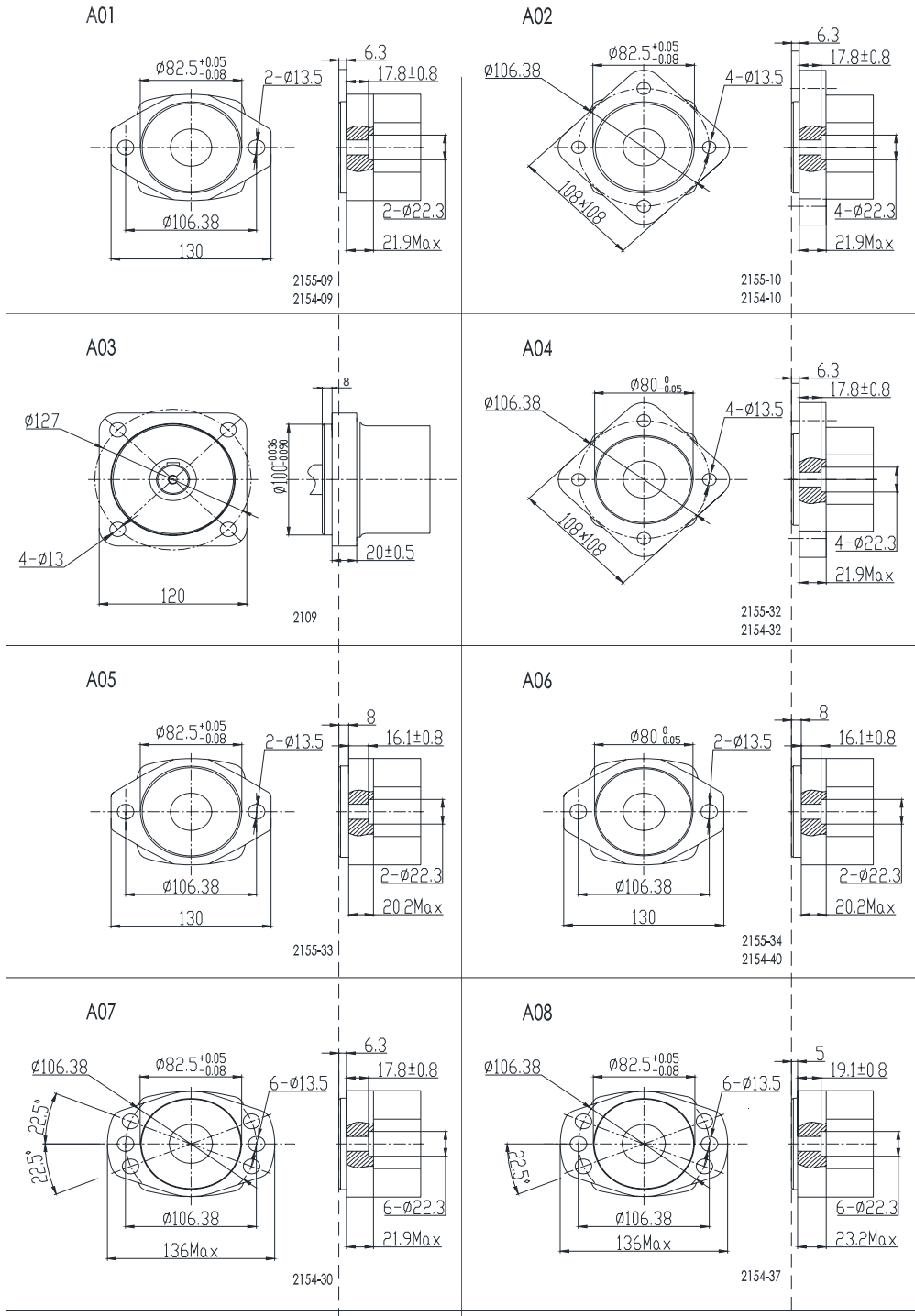
A 油口进油, 顺时针旋转

B油口进油, 逆时针旋转

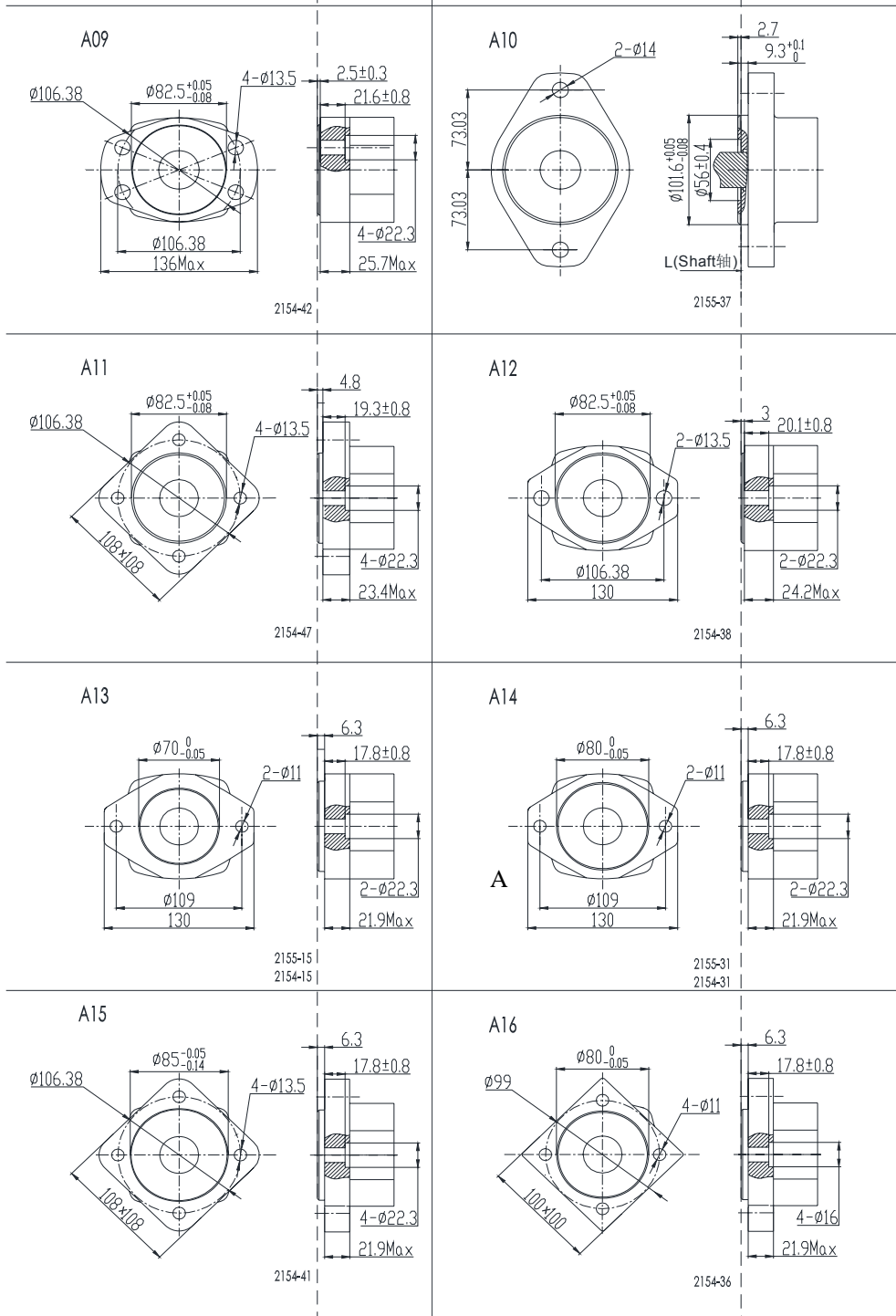
pilot 止口h (mm)	Displ. 排量cc/r	80	100	125	160	195	245	305	395	490
6.3	H (mm)	178.7	182.1	186.8	193.2	199.9	209	220.3	236.3	253.7
8	H (mm)	177	180.4	185.1	191.5	198.2	207.3	218.6	234.6	252
2.5	H (mm)	182.5	185.9	190.6	197	203.7	212.8	224.1	240.1	257.5
3	H (mm)	182	185.4	190.1	196.5	203.2	212.3	223.6	239.6	257
4.8	H (mm)	180.2	183.6	188.3	194.7	201.4	210.5	221.8	237.8	255.2
9.3	H (mm)	178.7	181	186	192	199	208	220	236	253

Flange Type to Fit Standard Motor A series
与标准马达A系列匹配的法兰型式

盘配流液马达

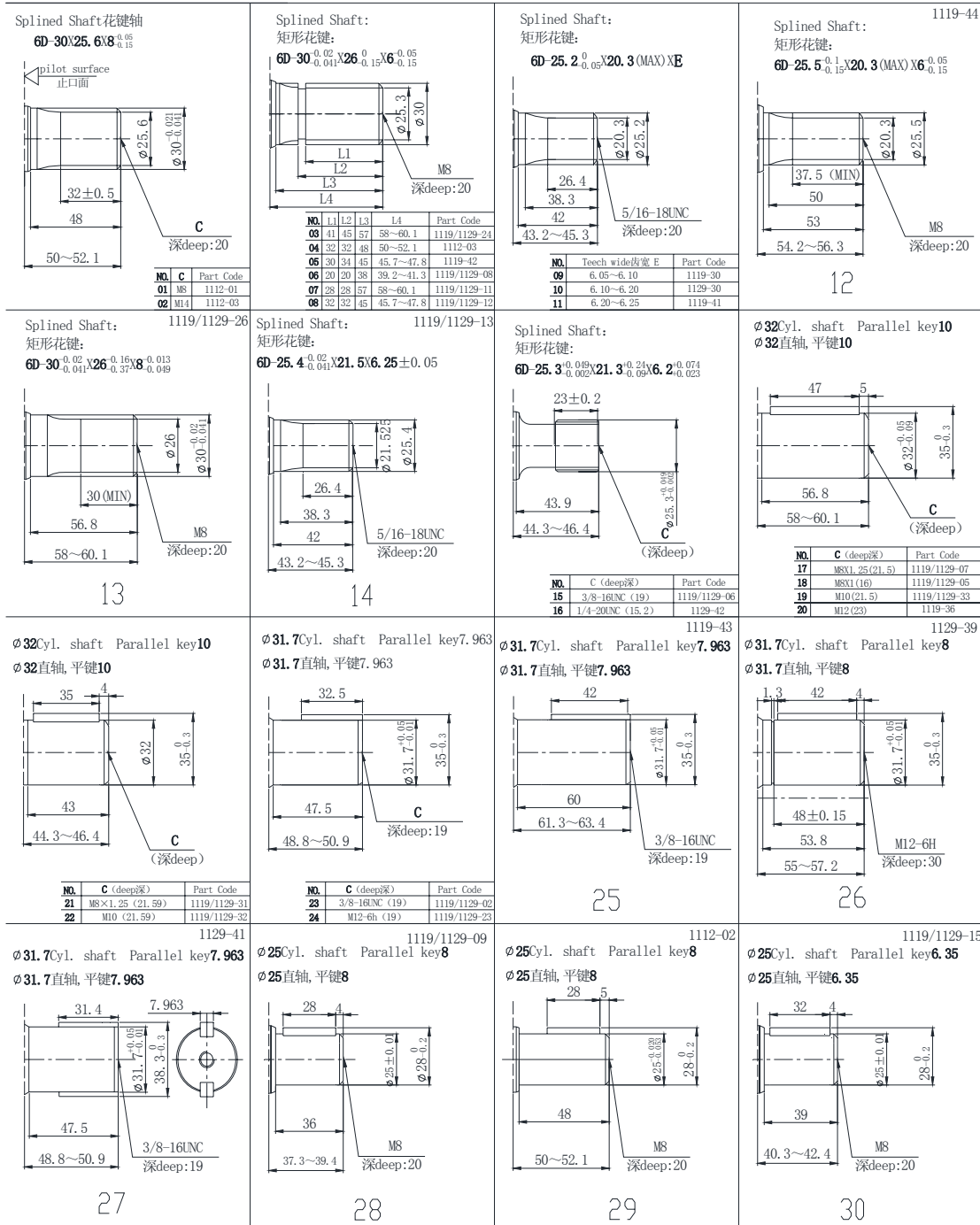


盘配液压马达

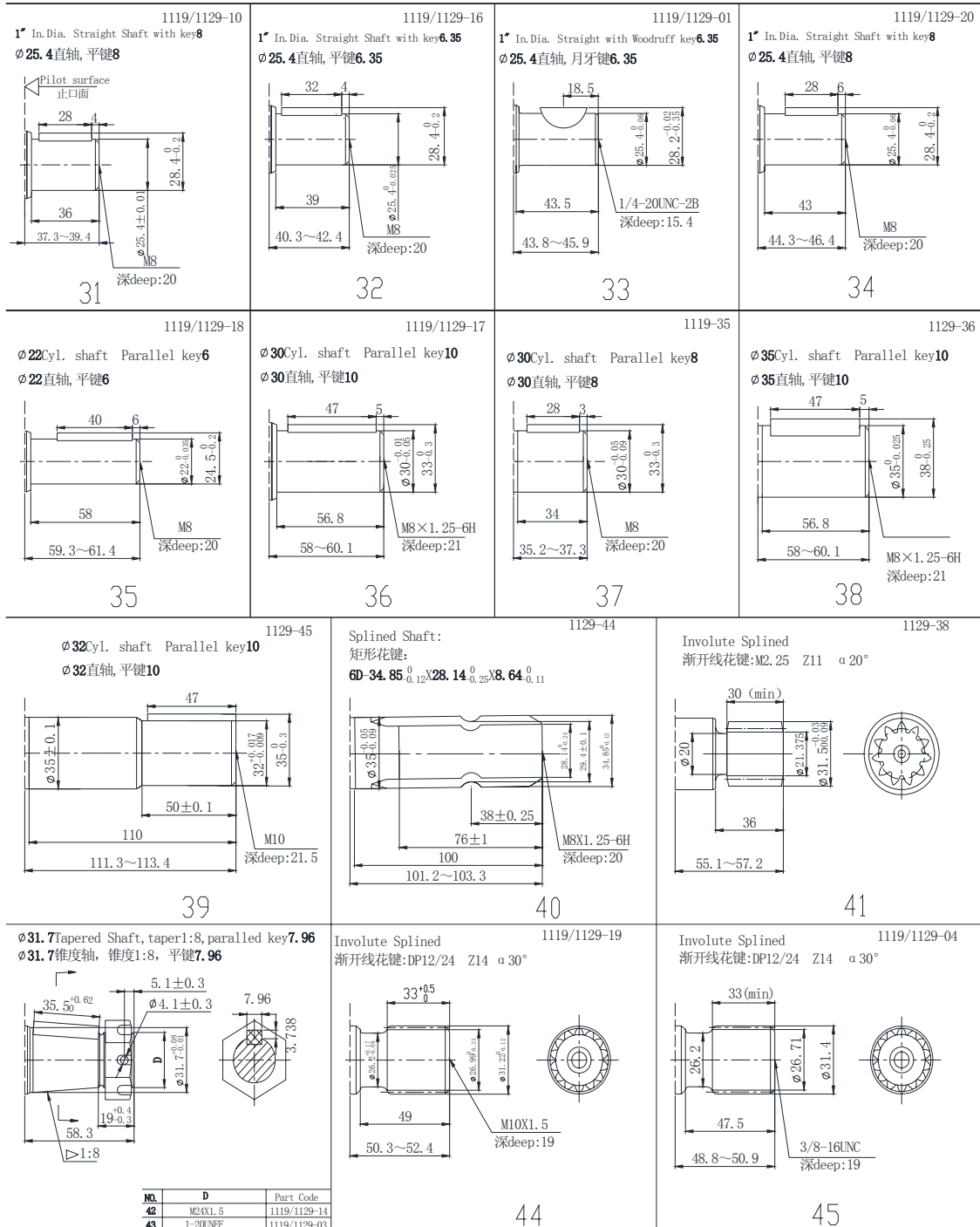


Dimensions ---Shafts SMS Series
SMS系列马达输出轴尺寸

盘配流液马达



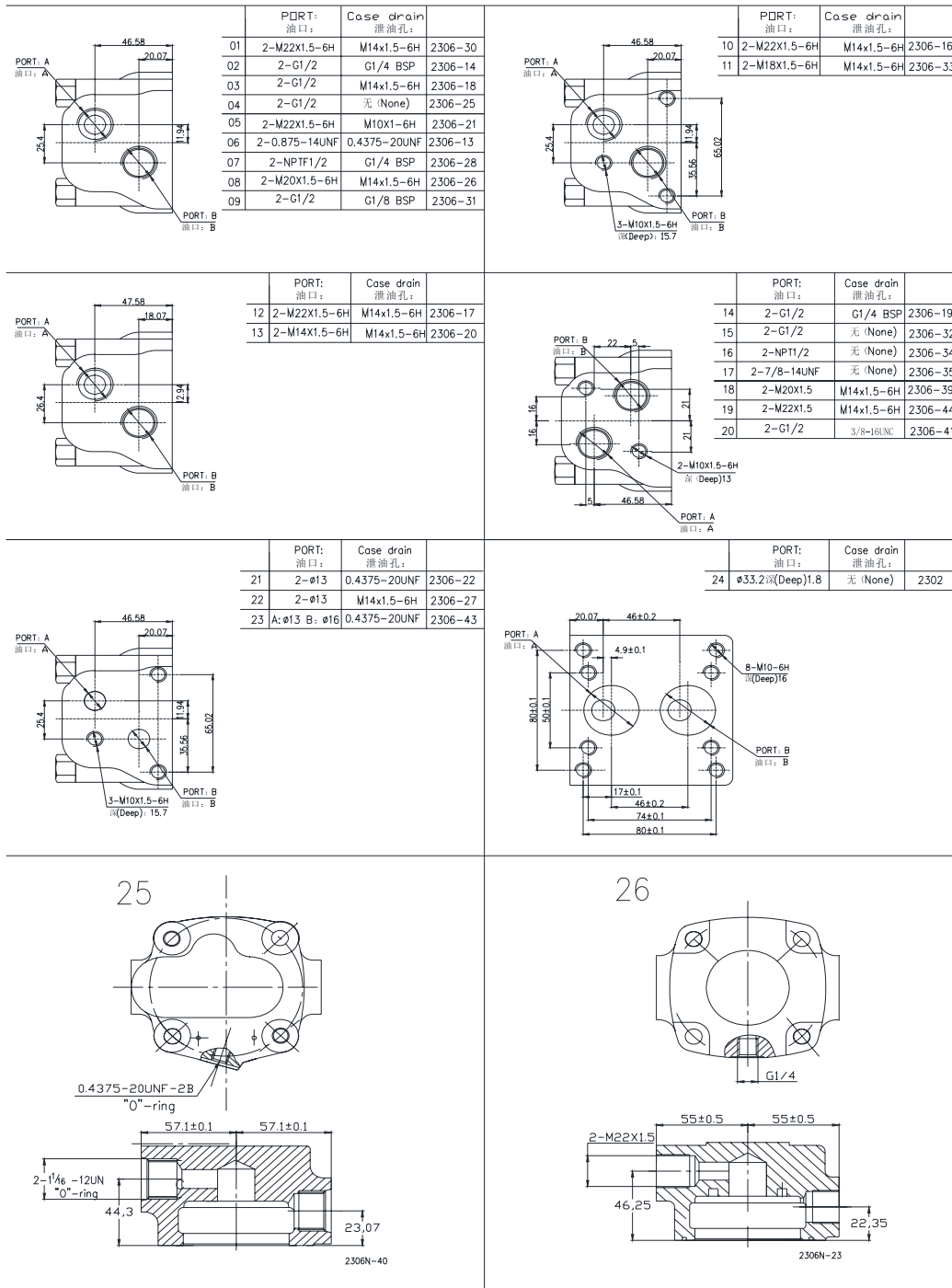
Dimensions ---Shafts SMS Serirs
SMS系列马达输出轴尺寸



SMS Standard Motor Series Dimensions Port

盘配流液压马达

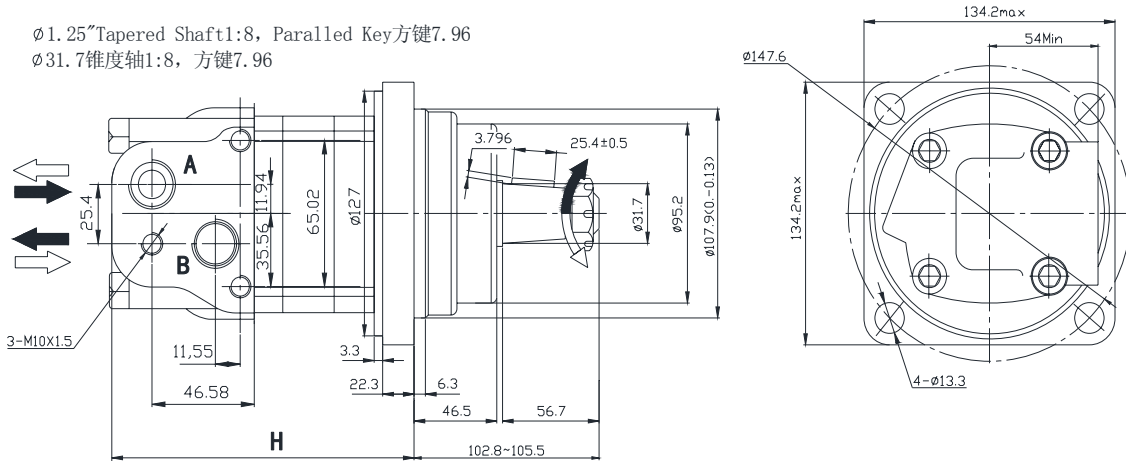
SMS标准马达系列油口连接尺寸



Standard Motor B Series (Wheel Motor)

标准马达B系列(车轮马达)

ø1.25" Tapered Shaft 1:8, Paralled Key 方键 7.96
 ø31.7 锥度轴 1:8, 方键 7.96

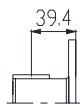
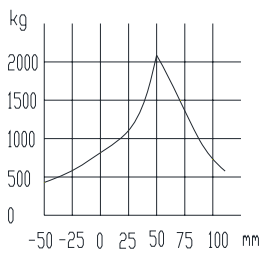


Standard Rotation: Viewed From Shaft End, Port A Pressurized --- CW; Port B Pressurized --- CCW

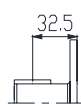
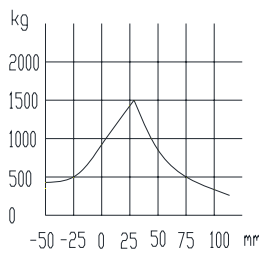
马达标准旋转方向: 面对输出轴轴端, A 油口进油, 顺时针旋转 ; B油口进油, 逆时针旋转

Disp. 排量 cc/r	80	100	130	160	195	245	305	395	490
H mm	138.7	141.9	146.6	153	159.7	168.8	180.1	196.1	213.5

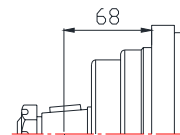
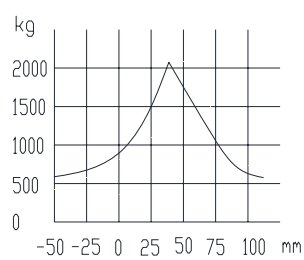
Shaft Side Load Capacity SMS Series
 SMS系列马达输出轴侧向载荷能力



Standard Motor for ø1.25" or ø32 Shaft
 ø31.7或ø32标准马达输出轴



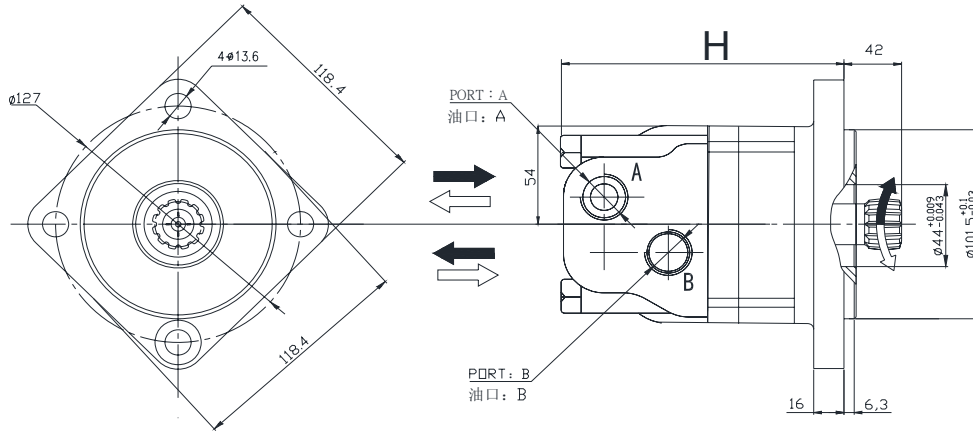
Standard Motor for ø1" or ø25 Shaft
 ø25.4或ø25标准马达输出轴



Wheel Motor for ø1.25" Tapered Shaft
 车轮马达ø31.7锥度轴

Standard Motor C Series (Bearingless Motor)

标准马达C系列(无轴承马达)



Standard Rotation:

Viewed From Shaft End , Port A Pressurized --- CW; Port B Pressurized --- CCW

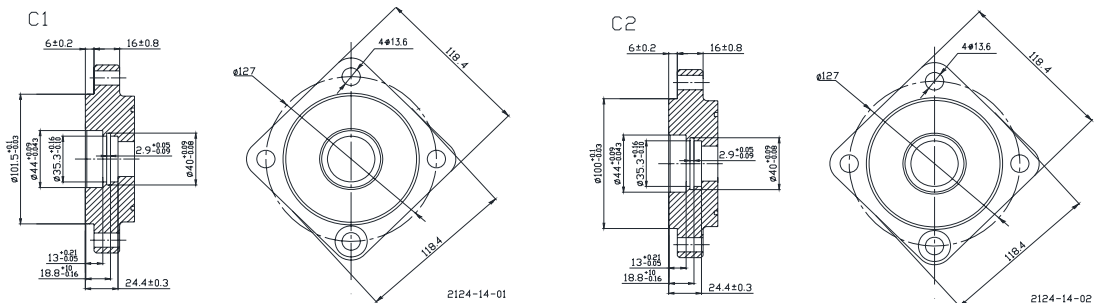
马达标准旋转方向:

面对输出轴轴端, A 油口进油, 顺时针旋转; B油口进油, 逆时针旋转

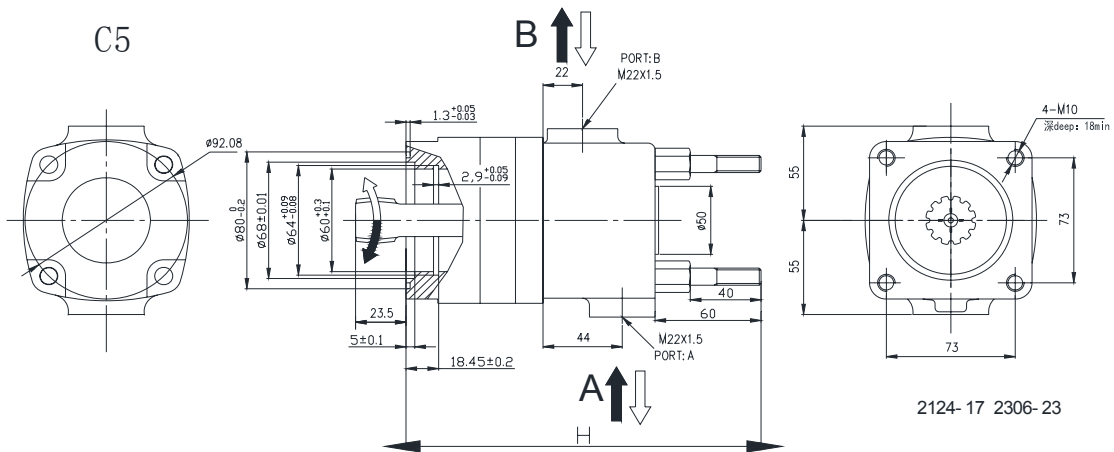
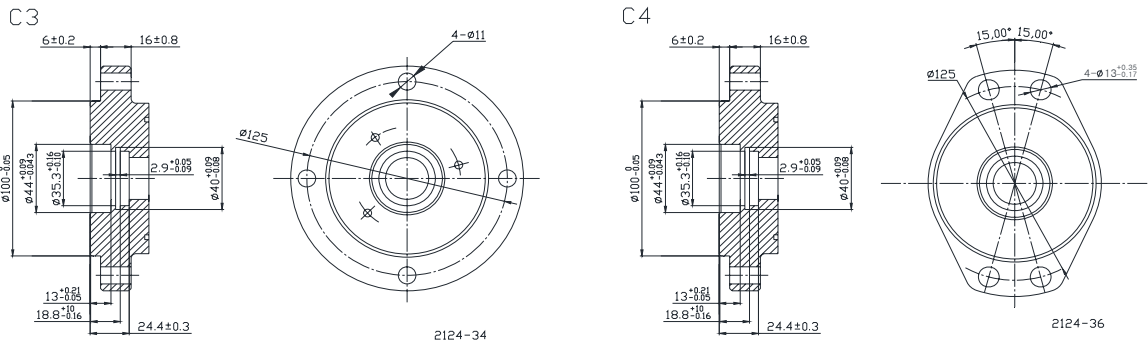
Disp. 排量 cc/r	80	100	130	160	195	245	305	395	490
H(mm)	126.5	129.9	134.6	141	147.7	156.8	168.1	184.1	201.5

Flange Type to Fit Standard Motor C (Bearingless Motor) Series

与标准马达C(无轴承马达)系列匹配的法兰型式



盘配流液压马达



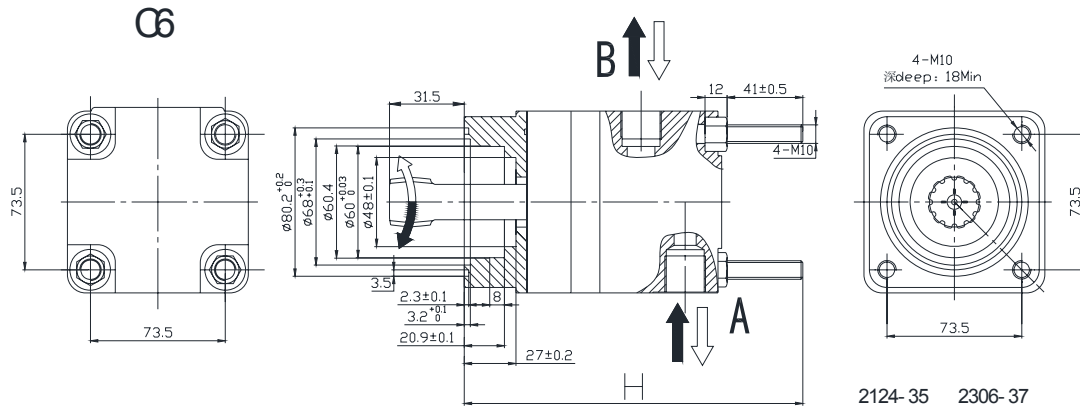
Standard Rotation:

Viewed From Shaft End , Port A Pressurized --- CW; Port B Pressurized --- CCW

马达标准旋转方向:

面对输出轴轴端, A 油口进油, 顺时针旋转; B油口进油, 逆时针旋转

Disp. 排量 cc/r	80	100	130	160	195	245	305	395	490
H (mm)	187	190.4	195.1	201.5	208.2	217.3	228.6	244.6	262



Standard Rotation:

Viewed From Shaft End , Port A Pressurized --- CW; Port B Pressurized --- CCW

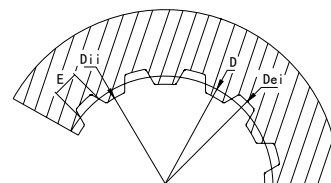
马达标准旋转方向:

面对输出轴轴端, A 油口进油, 顺时针旋转; B油口进油, 逆时针旋转

Disp. 排量 cc/r	80	100	130	160	195	245	305	395	490
H(mm)	187	190.4	195.1	201.5	208.2	217.3	228.6	244.6	262

Standard Motor C Series (Bearingless Motor)
Internal Spline Data For The Attached Component
 标准马达C系列(无轴承马达)内花键连接参数

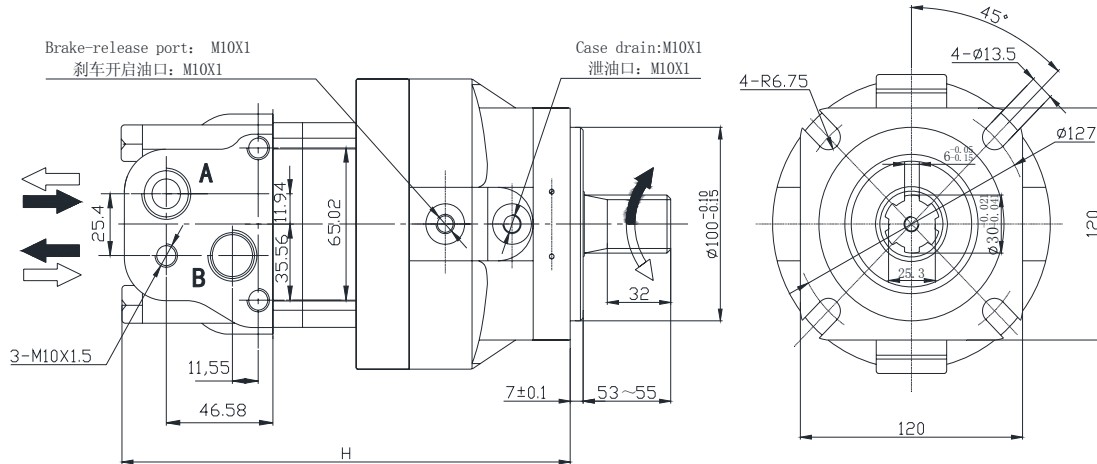
Fillet Root Side Fit	齿侧配合	mm	
Number of Teeth	齿数	Z	12
Diametral Pitch	径节	DP	12/24
Pressure Angle	压力角	α	30
Pitch Dia.	节圆直径	D	φ25.4
Major Dia.	齿顶圆直径	Dei	φ 27 .6 ^{+0.14} -0.01
Minor Dia.	齿根圆直径	Dii	φ 23 ^{+0.224} +0.097
Space Width	齿槽宽	E	4.3 ^{+0.018} -0.054



Hardening Specification : HRC62
 Effective case depth 0.7~1.2
 表面硬度: HRC62
 渗碳层深度: 0.7~1.2

Standard Motor D Series (Braker Motor)

标准马达D系列 (刹车马达)



Technical Data 技术参数:

- 1、Releasing pressure 开启压力 Bar: 12~22Bar
- 2、Brake torque 制动扭矩 Nm: 250~320Nm
- 3、The same performance parameters and standard motor
性能参数同标准马达
- 4、Port can choose standard motor A type
油口可选用标准马达A型
- 5、Every 3 months to replace the brake oil
每隔3个月更换制动器液压油

Standard Rotation:

Viewed From Shaft End , Port A Pressurized --- CW; Port B Pressurized --- CCW

马达标准旋转方向:

面对输出轴轴端, A 油口进油, 顺时针旋转; B油口进油, 逆时针旋转

Disp. 排量 cc/r	80	100	130	160	195	245	305	395	490
H(mm)	213.5	216.9	221.6	228	234.7	243.8	255.1	271.1	288.5

SMS Standard Motor A Series Order Information

盘配流液压马达

Port	Output Shaft	Flange & Pilot	Displacement cc/r								
			80	100	130	160	195	245	305	395	490
M22X1.5 Case Drain M14X1.5 (10)	Straight $\phi 1"$ Flat Key 8 (34)	2 Bolt Flange, Pilot $\phi 82.55$ (A01)	182m0301	302	303	304	305	306	307	308	309
		4 Bolt Flange, Pilot $\phi 82.55$ (A02)	182m0471	472	473	474	475	476	477	478	479
	Straight $\phi 25$ Flat Key 8(28)	4 Bolt Flange, Pilot $\phi 82.55$ (A02)	182m0451	452	453	454	455	456	457	458	459
M22X1.5 Case Drain M14X1.5 (11)	Straight $\phi 1.25"$ Flat Key 7.963 (23)	2 Bolt Flange, Pilot $\phi 82.55$ (A01)	182m0011	0012	0013	0014	0015	0016	0017	0018	0019
M22X1.5 Case Drain M14X1.5 (10)	Straight $\phi 1"$ Flat Key 8 (31)	2 Bolt Flange, Pilot $\phi 82.55$ (A01)	182m0061	0062	0063	0064	0065	0066	0067	0068	0069
	Straight $\phi 25$ Flat Key 8 (28)	2 Bolt Flange, Pilot $\phi 82.55$ (A01)	182m0021	0022	0023	0024	0025	0026	0027	0028	0029
	Straight $\phi 32$ Flat Key 10 (17)	4 Bolt Flange, Pilot F82.55 (A02)	182m0041	0042	0043	0044	0045	0046	0047	0048	0049
		2 Bolt Flange, Pilot $\phi 82.55$ (A01)	182m0071	0072	0073	0074	0075	0076	0077	0078	0079
	Square Spline 6D30X26X6 -32 (08)	2 Bolt Flange, Pilot $\phi 82.55$ (A01)	182m1031	1032	1033	1034	1035	1036	1037	1038	1039
		4 Bolt Flange, Pilot F82.55 (A02)	182m1111	1112	1113	1114	1115	1116	1117	1118	1119
	Square Spline 6D30X26X6-45 (03)	4 Bolt Flange, Pilot F82.55 (A02)	182m1051	1052	1053	1054	1055	1056	1057	1058	1059
	Square Spline 6D30X26X6-20 (06)	4 Bolt Flange, Pilot F82.55 (A02)	182m1091	1092	1093	1094	1095	1096	1097	1098	1099
	Square Spline 6D-30X26X6-45(03)	4 Bolt Flange, Pilot F82.55 (A02)	182m1381	1382	1383	1384	1385	1386	1387	1388	1389
12/24 Involute Spline, 14 T (44)	2 Bolt Flange, Pilot $\phi 82.55$ (A01)	182m2411	2412	2413	2414	2415	2416	2417	2418	2419	
Port G1/2BSP Case Drain M14X1.5 (03)	Straight $\phi 25$ Flat Key 6.35 (30)	2 Bolt Flange, Pilot $\phi 82.55$ (A1)	182m0151	152	153	154	155	156	157	158	159
	Straight $\phi 25$ Flat Key 8(28)	2 Bolt Flange, Pilot $\phi 82.55$ (A01)	182m0461	462	463	464	465	466	467	468	469
	Straight $\phi 1.25"$ Flat Key 7.963 (23)	2 Bolt Flange, Pilot $\phi 82.55$ (A01)	182m0341	342	343	344	345	346	347	348	349
Port G1/2BSP Case Drain G1/4BSP (02)	Straight $\phi 1"$ Flat Key 6.35 (32)	2 Bolt Flange, Pilot $\phi 82.55$ (A01)	182m0161	162	163	164	165	166	167	168	169
	Straight $\phi 1.25"$ Flat Key 7.963 (23)	4 Bolt Flange, Pilot F82.55 (A02)	182m0251	252	253	254	255	256	257	258	259
	Square Spline 6D30X26X6,(13)	4 Bolt Flange, Pilot F82.55 (A02)	182m1421	1422	1423	1424	1425	1426	1427	1428	1429
	12/24 Involute Spline, 14 Teeth (44)	4 Bolt Flange, Pilot F82.55 (A02)	182m2241	2242	2243	2244	2245	2246	2247	2248	2249

Port	Output Shaft	Flange & Pilot	Displacement cc/r								
			80	100	130	160	195	245	305	395	490
P7/8-14UNF O-ring, Case Drain 7/16-20UNF O-ring(06)	Straight $\phi 1.25''$ Flat Key 7.963 (25)	4 Bolt Flange, Pilot $\phi 82.55$ (A02)	182m0271	0272	0273	0274	0275	0276	0277	0278	0279
		2 Bolt Flange, Pilot $\phi 82.55$ (A1)	183m1022	1023	1024	1025	1026	1027	1028	1029	1020
Manifold Port Face, Case Drain 7/16-20UNF (21)	Straight $\phi 1''$ (37) Flat Key 8	2 Bolt Flange, Pilot $\phi 82.55$ (A01)	182m0051	0052	0053	0054	0055	0056	0057	0058	0059
		4 Bolt Flange, Pilot $\phi 82.55$ (A02)	182m0121	0122	0123	0124	0125	0126	0127	0128	0129
	Square Spline 6D-30X26X6 (13)	4 Bolt Flange, Pilot $\phi 82.55$ (A02)	182m1431	1432	1433	1434	1435	1436	1437	1438	1439

SMS Motor A Series (Standard Large Flange) Order Information

Port	Output Shaft	Flange & Pilot	Displacement cc/r					
			130	160	195	245	305	395
M22X1.5, Case Drain M14X1.5(10)	Straight $\phi 32$ Flat Key 10(17)	4 Bolt Flange, Pilot $\phi 100$ (A03)	181m0021	0022	0023	0024	0025	0026
			181m1001	1002	1003	1004	1005	1006
	181m1041		1042	1043	1044	1045	1046	
Manifold Port Face, No Case Drain	Square Spline 6D-30X26X8(01)		181m2133	2134	2135	2136	2137	2138
	Square Spline 6D-30X26X6(04)		181m2143	2144	2145	2146	2147	2148

SMS Motor B Series (Wheel Motor) Order Information

Port	Output Shaft	Flange & Pilot	Displacement cc/r								
			80	100	130	160	195	245	305	395	490
M22X1.5, Case Drain M14X1.5 (10)	Straight $\phi 32$ Flat Key 10 (17)	4 Bolt Wheel Motor Flange, Pilot $\phi 4.25"$ (B1)	182m4371	4372	4373	4374	4375	4376	4377	4378	4379
M22X1.5, Case Drain M14X1.5 (12)	Square Spline 6D-30X26X6 (08)	4 Bolt Wheel Motor Flange, Pilot $\phi 4.25"$ (B1)	182m1101	1102	1103	1104	1105	1106	1107	1108	1109
	1.25" Tapered Shaft (1:8) Flat Key 7.963 (42)	4 Bolt Wheel Motor Flange, Pilot $\phi 4.25"$ (B1)	182m4141	4242	4243	4244	4245	4246	4247	4248	4249
G1/2BSP, Case Drain G1/4BSP(02)	Straight F32 Flat Key 10 (17)	4 Bolt Wheel Motor Flange, Pilot $\phi 4.25"$ (B1)	182m1134	1135	1136	1137	1138	1139	1140	1141	1142
7/8-14UNF O-ring, Case Drain 7/16-20UNF O-ring(06)	1.25" Tapered Shaft (1:8) Flat Key 7.963 (43)	4 Bolt Wheel Motor Flange, Pilot $\phi 4.25"$ (B1)	182m1001	1002	1003	1004	1005	1006	1007	1008	1009
1-1/16-12UN Case Drain 7/16-20UNF O-ring(25)	1.25" Straight Shaft Flat Key 7.963(23)	4 Bolt Wheel Motor Flange, Pilot $\phi 4.25"$ (B1)	182m4381	4382	4383	4384	4385	4386	4387	4388	4389

SMS Motor C Series (Bearingless Motor) Order Information

Port	Output Shaft	Flange & Pilot	Displacement cc/r								
			80	100	130	160	195	245	305	395	490
2- M22X1.5, Case Drain M14X1.5 (01)	Splined shaft 12/24DP 12T	4 Bolt Bearingless Motor Flange(C1), Pilot 101.5	182M8181	8182	8183	8184	8185	8186	8187	8188	8189
2- M22X1.5, Case Drain M14X1.5 (28)	Splined shaft 12/24DP 12T	4-M10 Bearingless Motor Flange(C5)	182M8311	8312	8313	8314	8315	8316	8317	8318	8319
2- M22X1.5, Case Drain M14X1.5 (73.5X73.5)	Splined shaft 12/24DP 12T	4-M10 Bearingless Motor Flange(C6)	182M8411	8412	8413	8414	8415	8416	8417	8418	8419
2-G1/2BSP, Case Drain G1/4BSP (14)	Splined shaft 12/24DP 12T	4 Bolt Bearingless Motor Circular Flange(C3), Pilot 100	182M8581	8582	8583	8584	8585	8586	8587	8588	8589
Port G1/2BSP, Case Drain G1/4BSP (02)	Splined shaft 12/24DP 12T	4 Bolt Bearingless Motor Flange(C2), Pilot 100	182M8381	8382	8383	8384	8385	8386	8387	8388	8389
2-G1/2BSP, Case Drain G1/4BSP (14)	Splined shaft 12/24DP 12T	4 Bolt Bearingless Motor Rhomb Flange(C4), Pilot 100	182M8681	8682	8683	8684	8685	8686	8687	8688	8689

SMS Motor D Series (Brake Motor) Order Information

Port	Output Shaft	Flange & Pilot	Displacement cc/r								
			80	100	130	160	195	245	305	395	490
M22X1.5, Case Drain M14X1.5 (10)	Square Spline 6D-30X26X6 (04)	Brake Motor Flange, Pilot Φ100	186m0001	2	3	4	5	6	7	8	9

SMS 标准A系列马达订货信息

盘配流液压马达

油口	输出轴	法兰和止口	排量 cc/r								
			80	100	130	160	195	245	305	395	490
M22X1.5泄油口 M14X1.5 (10)	直轴 ϕ 25.4 平键8 (34)	2孔法兰, 止口 ϕ 82.55 (A01)	182m0301	302	303	304	305	306	307	308	309
		4孔法兰, 止口 ϕ 82.55 (A02)	182m0471	472	473	474	475	476	477	478	479
	直轴 ϕ 25 平键 8(28)	4 Bolt Flange, Pilot F82.55 (A02)	182m0451	452	453	454	455	456	457	458	459
M22X1.5泄油口 M14X1.5 (11)	直轴 ϕ 31.75 方键7.963 (23)	2孔法兰, 止口 ϕ 82.55 (A01)	182m0011	0012	0013	0014	0015	0016	0017	0018	0019
M22X1.5泄油口 M14X1.5 (10)	直轴 ϕ 25.4 平键8 (31)	2孔法兰, 止口 ϕ 82.55 (A01)	182m0061	0062	0063	0064	0065	0066	0067	0068	0069
	直轴 ϕ 25 平键 8 (28)	2孔法兰, 止口 ϕ 82.55 (A01)	182m0021	0022	0023	0024	0025	0026	0027	0028	0029
	直轴 ϕ 32 平键 10 (17)	4孔法兰, 止口 ϕ 82.55 (A02)	182m0041	0042	0043	0044	0045	0046	0047	0048	0049
		2孔法兰, 止口 ϕ 82.55 (A01)	182m0071	0072	0073	0074	0075	0076	0077	0078	0079
	矩形花键 6D30X26X6- 32 (08)	2孔法兰, 止口 ϕ 82.55 (A01)	182m1031	1032	1033	1034	1035	1036	1037	1038	1039
		4孔法兰, 止口 ϕ 82.55 (A02)	182m1111	1112	1113	1114	1115	1116	1117	1118	1119
	矩形花键6D30X26X6- 45 (03)	4孔法兰, 止口 ϕ 82.55 (A02)	182m1051	1052	1053	1054	1055	1056	1057	1058	1059
	矩形花键 6D30X26X6- 20 (06)	4孔法兰, 止口 ϕ 82.55 (A02)	182m1091	1092	1093	1094	1095	1096	1097	1098	1099
	矩形花键 6D-30X26X6- 45(03)	4孔法兰, 止口 ϕ 82.55 (A02)	182m1381	1382	1383	1384	1385	1386	1387	1388	1389
12/24 渐开线花键, 14齿 T (44)	2孔法兰, 止口 ϕ 82.55 (A01)	182m2411	2412	2413	2414	2415	2416	2417	2418	2419	
油口 G1/2BSP泄 油口 M14X1.5 (03)	直轴 ϕ 25 平键 6.35 (30)	2孔法兰, 止口 ϕ 82.55 (A1)	182m0151	152	153	154	155	156	157	158	159
	直轴 ϕ 25 平键 8(28)	2孔法兰, 止口 ϕ 82.55 (A01)	182m0461	462	463	464	465	466	467	468	469
油口G1/2BSP 泄油口 G1/4BSP (02)	直轴 ϕ 31.75 方键 7.963 (23)	2孔法兰, 止口 ϕ 82.55 (A01)	182m0341	342	343	344	345	346	347	348	349
	直轴 ϕ 25.4 平键 6.35 (32)	2孔法兰, 止口 ϕ 82.55 (A01)	182m0161	162	163	164	165	166	167	168	169
	直轴 ϕ 31.75 方键 7.963 (23)	4孔法兰, 止口 ϕ 82.55 (A02)	182m0251	252	253	254	255	256	257	258	259
	矩形花键 6D30X26X6,(13)	4孔法兰, 止口 ϕ 82.55 (A02)	182m1421	1422	1423	1424	1425	1426	1427	1428	1429
	12/24渐开线花键, 14齿 (44)	4孔法兰, 止口 ϕ 82.55 (A02)	182m2241	2242	2243	2244	2245	2246	2247	2248	2249

SMS 标准A系列马达订货信息

盘配流液压马达

油口	输出轴	法兰和止口	排量 cc/r								
			80	100	130	160	195	245	305	395	490
油口7/8-14UNF O-ring, 泄油 口 7/16-20UNF O-ring(06)	直轴 $\Phi 31.75$ 方键7.963 (25)	4 孔法兰, 止口 $\Phi 82.55$ (A02)	182m0271	0272	0273	0274	0275	0276	0277	0278	0279
		2 孔法兰, 止口 $\Phi 82.55$ (A1)	183m1022	1023	1024	1025	1026	1027	1028	1029	1020
板式连接油口 面, 泄油口 7/16-20UNF (21)	直轴 $\Phi 25.4$ 平键 8(37)	2 孔法兰, 止口 $\Phi 82.55$ (A01)	182m0051	0052	0053	0054	0055	0056	0057	0058	0059
	直轴 $\Phi 32$ 平键10(15)	4孔法兰, 止口 $\Phi 82.55$ (A02)	182m0121	0122	0123	0124	0125	0126	0127	0128	0129
	矩形花键 6D- 30X26X6(13)	4孔法兰, 止口 $\Phi 82.55$ (A02)	182m1431	1432	1433	1434	1435	1436	1437	1438	1439

SMS标准A 系列马达 (大法兰) 订货信息

油口	输出轴	法兰和止口	排量 cc/r					
			130	160	195	245	305	395
油口 M22X1.5, 泄油口 M14X1.5(10)	直轴 $\Phi 32$ 平键10(17)	4 孔法兰, 止 口 $\Phi 100$ (A03)	181m0021	0022	0023	0024	0025	0026
	矩形花键6D- 30X26X8(01)		181m1001	1002	1003	1004	1005	1006
	矩形花键 6D- 30X26X6(04)		181m1041	1042	1043	1044	1045	1046
板式连接, 无 泄油口	矩形花键 6D30X26X8 (01)	4 孔法兰, 止 口 $\Phi 100$ (A03)	181m2133	2134	2135	2136	2137	2138
	矩形花键 6D- 30X26X6(04)		181m2143	2144	2145	2146	2147	2148

SMS B 系列（车轮马达）订货信息

油口	输出轴	法兰和止口	排量 cc/r								
			80	100	130	160	195	245	305	395	490
油口M22X1.5, 泄油口 M14X1.5 (10)	直轴 $\phi 32$ 平键10 (17)	4 孔车轮马达, 止口 $\Phi 107.9(B1)$	182m4371	4372	4373	4374	4375	4376	4377	4378	4379
油口M22X1.5, 泄油口 M14X1.5 (12)	矩形花键6D- 30X26X6 (08)	4 孔车轮马达, 止口 $\Phi 107.9(B1)$	182m1101	1102	1103	1104	1105	1106	1107	1108	1109
	31.75锥度 轴, 锥度 1:8; 方键 7.963 (42)	4 孔车轮马达, 止口 $\Phi 107.9(B1)$	182m4141	4242	4243	4244	4245	4246	4247	4248	4249
G1/2BSP, 泄 油口 G1/4BSP(02)	直轴 $\phi 32$, 平 键10 (17)	4 孔车轮马达, 止口 $\Phi 107.9(B1)$	182m1134	1135	1136	1137	1138	1139	1140	1141	1142
7/8-14UNF O-ring,泄油口 7/16-20UNF O-ring(06)	31.75锥度 轴, 锥度 1:8; 方键 7.963 (43)	4 孔车轮马达, 止口 $\Phi 107.9(B1)$	182m1001	1002	1003	1004	1005	1006	1007	1008	1009
1-1/16-12UN 泄油口 7/16- 20UNF O-	31.75直轴 方键 7.963(23)	4 孔车轮马达, 止口 $\Phi 107.9(B1)$	182m4381	4382	4383	4384	4385	4386	4387	4388	4389

SMS 马达 C系列（无轴承马达）订货信息

油口	输出轴	法兰和止口	排量 cc/r								
			80	100	130	160	195	245	305	395	490
2- M22X1.5, 泄油口 M14X1.5 (01)	渐开线花键轴 12/24DP 12齿	4孔无轴承马达止口 101.5(C1)	182M8181	8182	8183	8184	8185	8186	8187	8188	8189
2- M22X1.5, 泄油口 M14X1.5 (28)	渐开线花键轴 12/24DP 12齿	4-M10 无轴承马达法兰(C5)	182M8311	8312	8313	8314	8315	8316	8317	8318	8319
2- M22X1.5, 泄油口 M14X1.5 (73.5X73.5)	渐开线花键轴 12/24DP 12齿	4-M10 无轴承马达法兰(C6)	182M8411	8412	8413	8414	8415	8416	8417	8418	8419
2-G1/2BSP, 泄油口 G1/4BSP (14)	渐开线花键轴 12/24DP 12齿	4 孔无轴承马达法兰(C3), Pilot 100	182M8581	8582	8583	8584	8585	8586	8587	8588	8589
Port G1/2BSP, 泄油口 G1/4BSP (02)	渐开线花键轴 12/24DP 12齿	4 孔无轴承马达法兰(C2), Pilot 100	182M8381	8382	8383	8384	8385	8386	8387	8388	8389
2-G1/2BSP, 泄油口 G1/4BSP (14)	渐开线花键轴 12/24DP 12齿	4 孔菱形无轴承马达法兰(C4), Pilot 100	182M8681	8682	8683	8684	8685	8686	8687	8688	8689

SMS 马达 D系列（制动马达）订货信息

油口	输出轴	法兰和止口	排量 cc/r								
			80	100	130	160	195	245	305	395	490
M22X1.5, 泄油口 M14X1.5 (10)	矩形花键 6D-30X26X6 (04)	制动马达4孔法兰, 止口 Φ100	186m0001	0002	0003	0004	0005	0006	0007	0008	0009

Order Information

订货信息

1	2	3	4	5	6	7	8	9	10	11	12	13	14	15	16
S	M	S													

Position 1,2,3 ---SMS Series Motor

第1,2,3位数字 ---- SMS系列马达

Position 4 ----Motor Type

第4位数字 ----马达类型

A -----Standard Motor A Series, 标准马达A系列

B ----- Wheel Motor Series ,车轮马达系列

C ----- Bearingless Motor Series,无轴承马达系列

D -----Brake Motor Series ,制动马达系列

Position 5, 6 ---Displacement, cc/r

第5, 6 位数字 ----马达排量

01 ----80

02 ----100

03 ----125

04 ----160

05 ----195

06 ----245

07 ----305

08 ----395

09 ----490

Position 7,8,9 ----Flanges and Pilot

第7,8,9位数字 ----法兰和止口尺寸

A01 ---- 2Bolt&Boil Circle ϕ 106.38 Flange, Pilot ϕ 82.55&High6.3

2孔法兰、分度圆 ϕ 106.38 , 止口 ϕ 82.55、高6.3

A02 ---- 4Bolt&Boil Circle ϕ 106.38 Flange, Pilot ϕ 82.55&High6.3

4孔法兰、分度圆 ϕ 106.38 , 止口 ϕ 82.55、高6.3

A03 ---- 4Bolt&Boil Circle ϕ 127 Larger Flange, Pilot ϕ 100&High8

4孔法兰、分度圆 ϕ 127 , 止口 ϕ 100、高8

- A04 ---- 4Bolt&Boil Circle ϕ 106.38 Flange, Pilot ϕ 80&High6.3
4孔法兰、分度圆 ϕ 106.38 , 止口 ϕ 80、高6.3
- A05 ---- 2Bolt&Boil Circle ϕ 106.38 Flange, Pilot ϕ 82.55&High8
2孔法兰、分度圆 ϕ 106.38 , 止口 ϕ 82.55、高8
- A06 ---- 2Bolt&Boil Circle ϕ 106.38 Flange, Pilot ϕ 80&High8
2孔法兰、分度圆 ϕ 106.38 , 止口 ϕ 80、高8
- A07 ---- 6Bolt&Boil Circle ϕ 106.38 Flange, Pilot ϕ 82.55&High6.3
6孔法兰、分度圆 ϕ 106.38 , 止口 ϕ 82.55、高6.3
- A08 ---- 6Bolt&Boil Circle ϕ 106.38 Flange, Pilot ϕ 82.55&High5
6孔法兰、分度圆 ϕ 106.38 , 止口 ϕ 82.55、高5
- A09 ---- 4Bolt&Boil Circle ϕ 106.38 Flange, Pilot ϕ 82.5&High2.5
4孔法兰、分度圆 ϕ 106.38 , 止口 ϕ 82.55、高2.5
- A10 ---- 2Bolt&Boil Circle ϕ 146.06 Flange, Pilot ϕ 101.6&High9.3
2孔法兰、分度圆 ϕ 146.06 , 止口 ϕ 101.6、高9.3
- A11 ---- 4Bolt&Boil Circle ϕ 106.38 Flange, Pilot ϕ 82.55&High4.8
4孔法兰、分度圆 ϕ 106.38 , 止口 ϕ 82.55、高4.8
- A12 ---- 2Bolt&Boil Circle ϕ 106.38 Flange, Pilot ϕ 80&High3
2孔法兰、分度圆 ϕ 106.38 , 止口 ϕ 100、高3
- A13 ---- 2Bolt&Boil Circle ϕ 109 Flange, Pilot ϕ 70&High6.3
2孔法兰、分度圆 ϕ 109, 止口 ϕ 70、高6.3
- A14 ---- 2Bolt&Boil Circle ϕ 109 Flange, Pilot ϕ 80&High6.3
2孔法兰、分度圆 ϕ 109 , 止口 ϕ 80、高6.3
- A15 ---- 4Bolt&Boil Circle ϕ 106.38 Flange, Pilot ϕ 85&High6.3
4孔法兰、分度圆 ϕ 106.38 , 止口 ϕ 85、高6.3
- A16 ---- 2Bolt&Boil Circle ϕ 99 Flange, Pilot ϕ 80&High6.3
2孔法兰、分度圆 ϕ 99, 止口 ϕ 80、高6.3
- B ---- Wheel Motor 4Bolt&Boil Circle ϕ 147.6 Flange, Pilot ϕ 107.9&High6.3
车轮马达4孔法兰、分度圆 ϕ 147.6 , 止口 ϕ 107.9、高6.3
- C1 ---- Bearingless Motor 4Bolt&Boil Circle ϕ 127 Flange, Pilot ϕ 101.5&High6
无轴承马达4孔法兰、分度圆 ϕ 127 , 止口 ϕ 101.5、高6

- C2 ---- Bearingless Motor 4 Bolt & Boil Circle ϕ 127 Flange, Pilot ϕ 100 & High 6
 无轴承马达4孔法兰、分度圆 ϕ 127, 止口 ϕ 100、高6
- C3 ---- Bearingless Motor 4 Bolt & Boil Circle ϕ 125 Flange, Pilot ϕ 100 & High 6
 无轴承马达4孔圆形法兰、分度圆 ϕ 125, 止口 ϕ 100、高6
- C4 ---- Bearingless Motor 4 Bolt & Boil Circle ϕ 125 Rhomb Flange, Pilot ϕ 100 & High 6
 无轴承马达4孔菱形法兰、分度圆 ϕ 125, 止口 ϕ 100、高6
- C5 ---- Bearingless Motor 4-M10 (73X73) Flange
 无轴承马达4-M10 (73X73)
- C6 ---- Bearingless Motor 4-M10 (73.5X73.5) Flange
 无轴承马达4-M10 (73.5X73.5)
- D ---- Brake Motor 4 Bolt & Boil Circle ϕ 127 Flange, Pilot ϕ 100 & High 7
 制动马达4孔法兰、分度圆 ϕ 127, 止口 ϕ 100、高7
- Position 10, 11 ---- Output Shaft
 第10, 11位数字 ---- 输出轴尺寸
- 01 ---- Rectangle Spline Shaft 矩形花键轴 6D-30X25.6X8—32, M8
- 02 ---- Rectangle Spline Shaft 矩形花键轴 6D-30X25.6X8—32, M14
- 03 ---- Rectangle Spline Shaft 矩形花键轴 6D-30X26X6—45, M8
- 04 ---- Rectangle Spline Shaft 矩形花键轴 6D-30X26X6—32, M8
- 05 ---- Rectangle Spline Shaft 矩形花键轴 6D-30X26X6—34, M8
- 06 ---- Rectangle Spline Shaft 矩形花键轴 6D-30X26X6—20, M8
- 07 ---- Rectangle Spline Shaft 矩形花键轴 6D-30X26X6—28, M8
- 08 ---- Rectangle Spline Shaft 矩形花键轴 6D-30X26X6—32, M8
- 09 ---- Rectangle Spline Shaft 矩形花键轴 6D-25.2X20.3X6.1—26.4, 5/16-18UNC
- 10 ---- Rectangle Spline Shaft 矩形花键轴 6D-25.2X20.3X6.2—26.4, 5/16-18UNC
- 11 ---- Rectangle Spline Shaft 矩形花键轴 6D-25.2X20.3X6.25—26.4, 5/16-18UNC
- 12 ---- Rectangle Spline Shaft 矩形花键轴 6D-25.5X20.3X6—37.5, M8
- 13 ---- Rectangle Spline Shaft 矩形花键轴 6D-30X26X8—30, M8
- 14 ---- Rectangle Spline Shaft 矩形花键轴 6D-25.4X21.5X6.25—26.4, 5/16-18UNC
- 15 ---- Rectangle Spline Shaft 矩形花键轴 6D-25.3X21.3X6.2—23, 5/16-18UNC
- 16 ---- Rectangle Spline Shaft 矩形花键轴 6D-25.3X21.3X6.2—23, 1/4-20UNC

- 17 ---- Φ 32Cylindrical Shaft ,parallel key10X47; Φ 32 直轴,平键10X47, M8
- 18 ---- Φ 32Cylindrical Shaft ,parallel key10X47 ; Φ 32 直轴,平键10X47, M8X1
- 19 ---- Φ 32Cylindrical Shaft ,parallel key10X47; Φ 32 直轴,平键10X47, M10
- 20 ---- Φ 32Cylindrical Shaft ,parallel key10X47; Φ 32 直轴,平键10X47, M12
- 21 ---- Φ 32Cylindrical Shaft ,parallel key10X35; Φ 32 直轴,平键10X35, M8
- 22 ---- Φ 32Cylindrical Shaft ,parallel key10X35; Φ 32 直轴,平键10X35, M10
- 23 ---- Φ 1.25In Cylindrical Shaft, parallel key7.96X32 ;
 Φ 31.75 直轴,方键7.96X32 ,3/8-16UNC
- 24 ---- Φ 1.25In Cylindrical Shaft, parallel key7.96X32; Φ 31.75 直轴,方键7.96X32,M12
- 25 ---- Φ 1.25In Cylindrical Shaft, parallel key7.96X42 ;
 Φ 31.75 直轴,方键7.96X42 ,3/8-16UNC
- 26 ---- Φ 1.25In Cylindrical Shaft, parallel key7.96X42; Φ 31.75 直轴,方键7.96X42,M12
- 27 ---- Φ 1.25In Cylindrical Shaft, Two parallel key7.96X32 ;
 Φ 31.75 直轴,2件方键7.96X32 ,3/8-16UNC
- 28 ---- Φ 25Cylindrical Shaft parallel Key8X28; Φ 25 直轴,平键8X28,M8
- 29 ---- Φ 25Cylindrical Shaft parallel Key8X28; Φ 25 直轴,平键8X28,M8
- 30 ---- Φ 25Cylindrical Shaft parallel Key6.35X32; Φ 25 直轴,平键6.35X32,M8
- 31 ---- Φ 1In Cylindrical Shaft parallel Key8X28; Φ 25.4 直轴,平键8X28,M8
- 32 ---- Φ 1In Cylindrical Shaft parallel Key6.35X32; Φ 25.4 直轴,平键6.35X32,M8
- 33 ---- Φ 1In Cylindrical Shaft Woodruff Key6.35; Φ 25.4 直轴,半圆键6.35,1/4-20UNC
- 34 ---- Φ 1In Cylindrical Shaft parallel Key8X28; Φ 25.4 直轴,平键8X28,M8
- 35 ---- Φ 22Cylindrical Shaft Key6X40; Φ 22 直轴,平键6X40,M8
- 36 ---- Φ 30Cylindrical Shaft Key10X47; Φ 30 直轴,平键10X47,M8
- 37 ---- Φ 30 Cylindrical Shaft Key8X28; Φ 30 直轴,平键8X28,M8
- 38 ---- Φ 35Cylindrical Shaft Key10X47; Φ 35 直轴,平键10X47,M8
- 39 ---- Φ 32 Cylindrical Shaft Key10X47; Φ 32直轴,平键10X47,M10
- 40 ---- Rectangle Spline Shaft 矩形花键轴6D-34.85X28.14X8.64—76, M8
- 41 ---- Involute Spline Shaft 渐开线花键: m2.5 Z11 a20
- 42 ---- Tapered Shaft 1:8, parallel key7.96X35 ; 锥度轴1:8,方键7.96X35 , M24X1.5
- 43 ---- Tapered Shaft 1:8, parallel key7.96X35 ; 锥度轴1:8,方键7.96X35 , 1-20UNEF
- 44 ---- Involute Spline Shaft 渐开线花键: DP12/24 Z14 a30
- 45 ---- Involute Spline Shaft 渐开线花键: DP12/24 Z14 a30

Position 12, 13 ----Port, Case Drain Port

第12,13位数字 ----油口和泄油口尺寸

NO.	PORT油口	CASE DRAIN泄油口
01	M22X1.5	M14X1.5
02	G1/2	G1/4
03	G1/2	M14X1.5
04	G1/2	no(无)
05	M22X1.5	M10X1
06	7/8-14UNF	7/16-20UNF
07	NPT1/2	G1/4
08	M20X1.5	M14X1.5
09	G1/2	G1/8
10	M22X1.5	M14X1.5
11	M18X1.5	M14X1.5
12	M22X1.5	M14X1.5
13	M14X1.5	M14X1.5
14	G1/2	G1/4
15	G1/2	no(无)
16	NPT1/2	no(无)
17	7/8-14UNF	no(无)
18	M20X1.5	M14X1.5
19	M22X1.5	M14X1.5
20	G1/2	3/8-16UNC
21	2-Φ13	7/16-20UNF
22	2-Φ13	M14X1.5
23	A-Φ13, B-Φ16	7/16-20UNF
24	Φ33.2	no(无)
25	1-1/16-12UN	7/16-20UNF
26	M22X1.5	G1/4

Position 14----Front Drain Port

第14位数字 ----前泄油口尺寸

NO.	CASE DRAIN泄油口	Part Code
0	no(无)	3319
1	G1/4	3319-04
2	M14X1.5	3319-02
3	M10X1	3319-03
4	7/16-20UNF	3319-06

Position 15 ----Paint

第15位数字 ----喷漆要求

- 0 ----No Paint 不喷漆
- 1 ----Blue 喷标准蓝漆
- 2 ----Black 喷标准磷化黑漆
- 3 ---- Others, Please Note on PO
其它要求,请下订单时注明

Position 16 ----Specical Features

第16位数字 ---- 特殊要求

- 0 ----None
无其它要求
- 1 ----Viton Shaft Seal
轴密封材质为氟橡胶
- 2 ----Vition Seals
密封圈材质为氟橡胶
- 3 ----Viton Shaft Seal and Viton Seals
轴密封和其它密封圈材质均
为氟橡胶
- 4---- Others, Please Note on PO
其它要求,请下订单时注明

Position 17 ----Motor Rotation

马达旋转方向

Viewed From Shaft End

面对输出轴轴端

- A ----Port A Pressurized CW
A 油口进压力油, 顺时针旋转
- B ----Port A Pressurized CCW
A 油口进压力油, 逆时针旋转